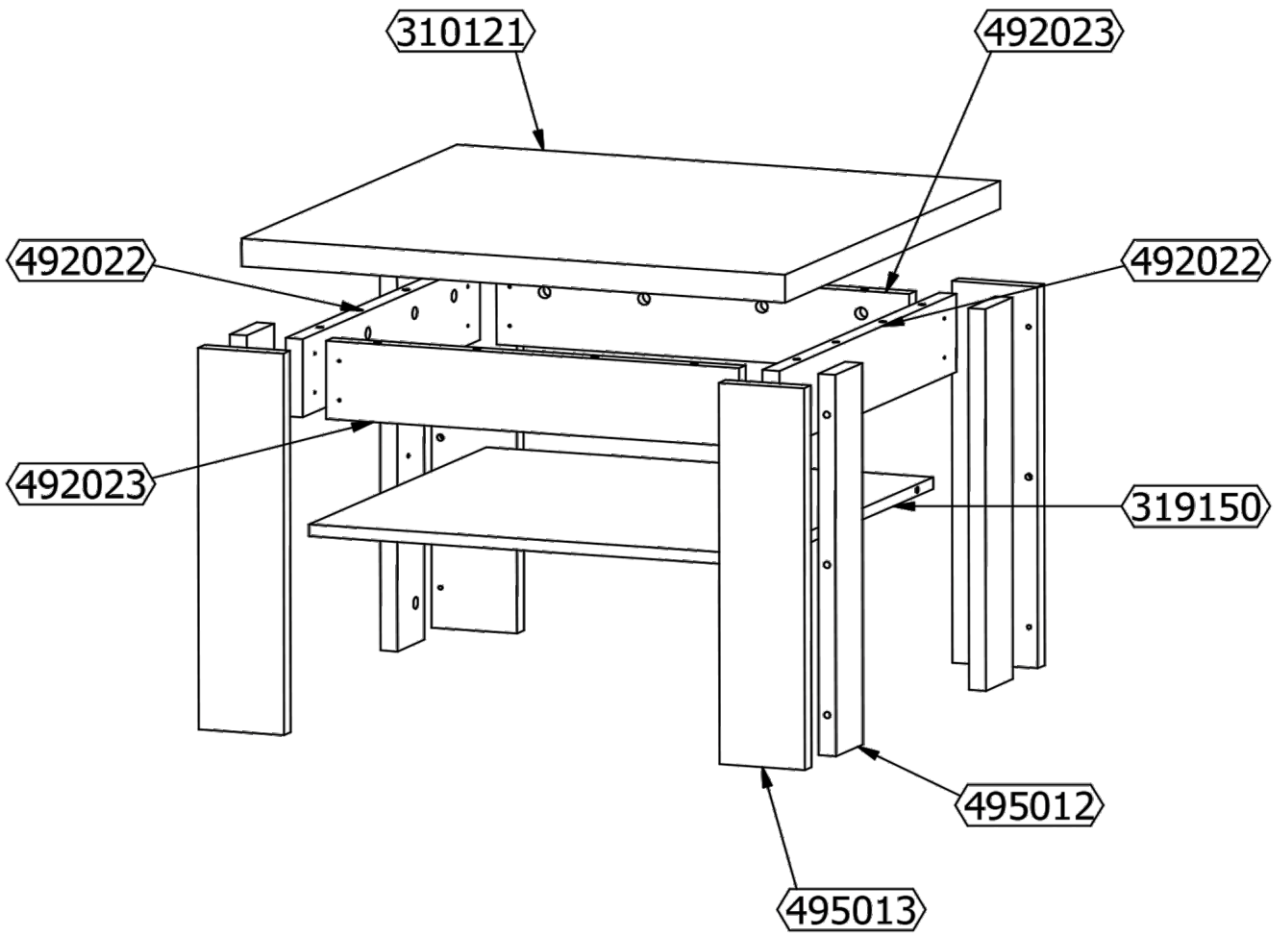
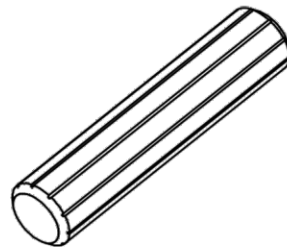


PROVANCE

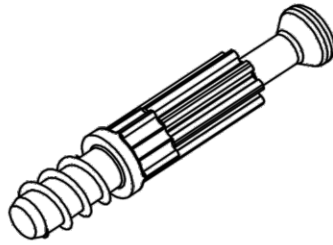


A x4

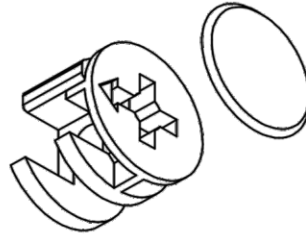


(8x36)

B x28

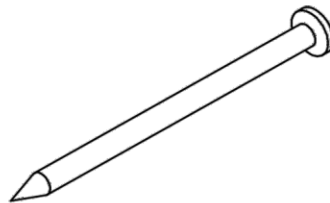


C x28

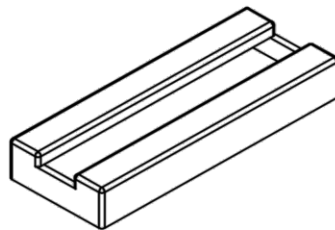


(15x12)

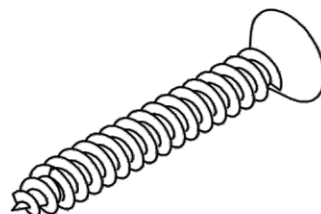
G x8



Sz x4

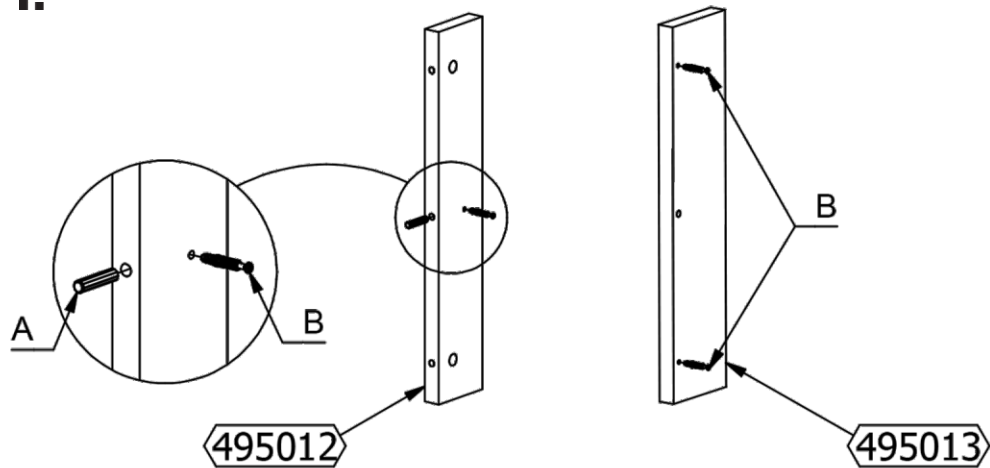


W4 x16

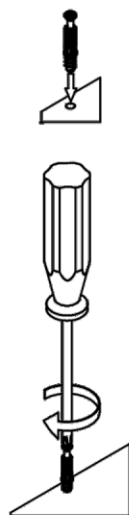
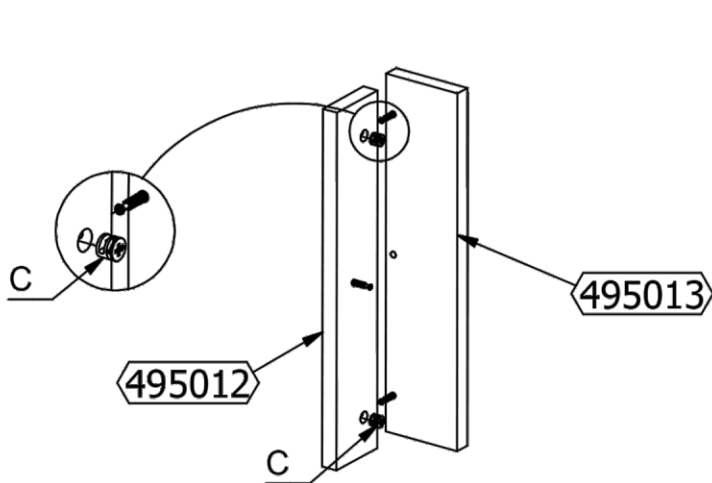


(4,0x30)

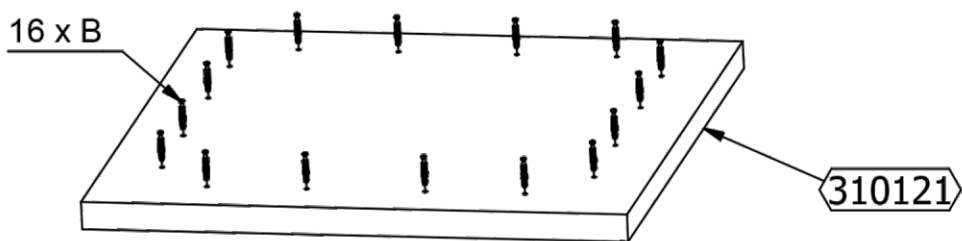
I.



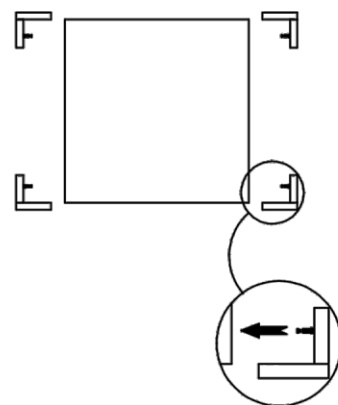
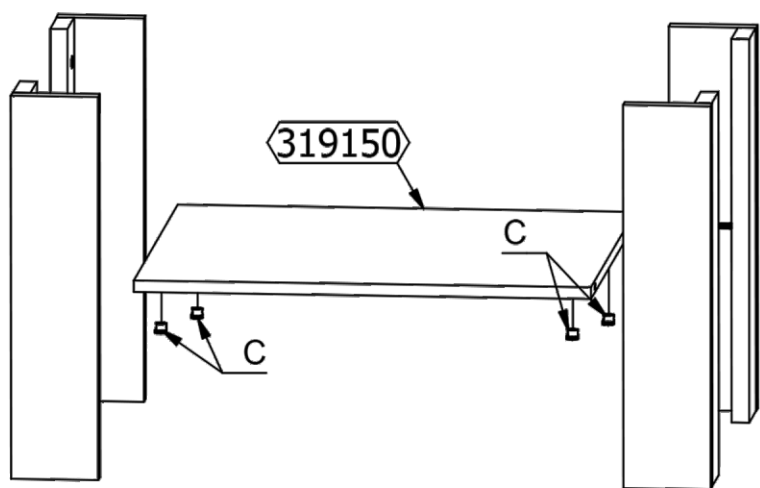
II.



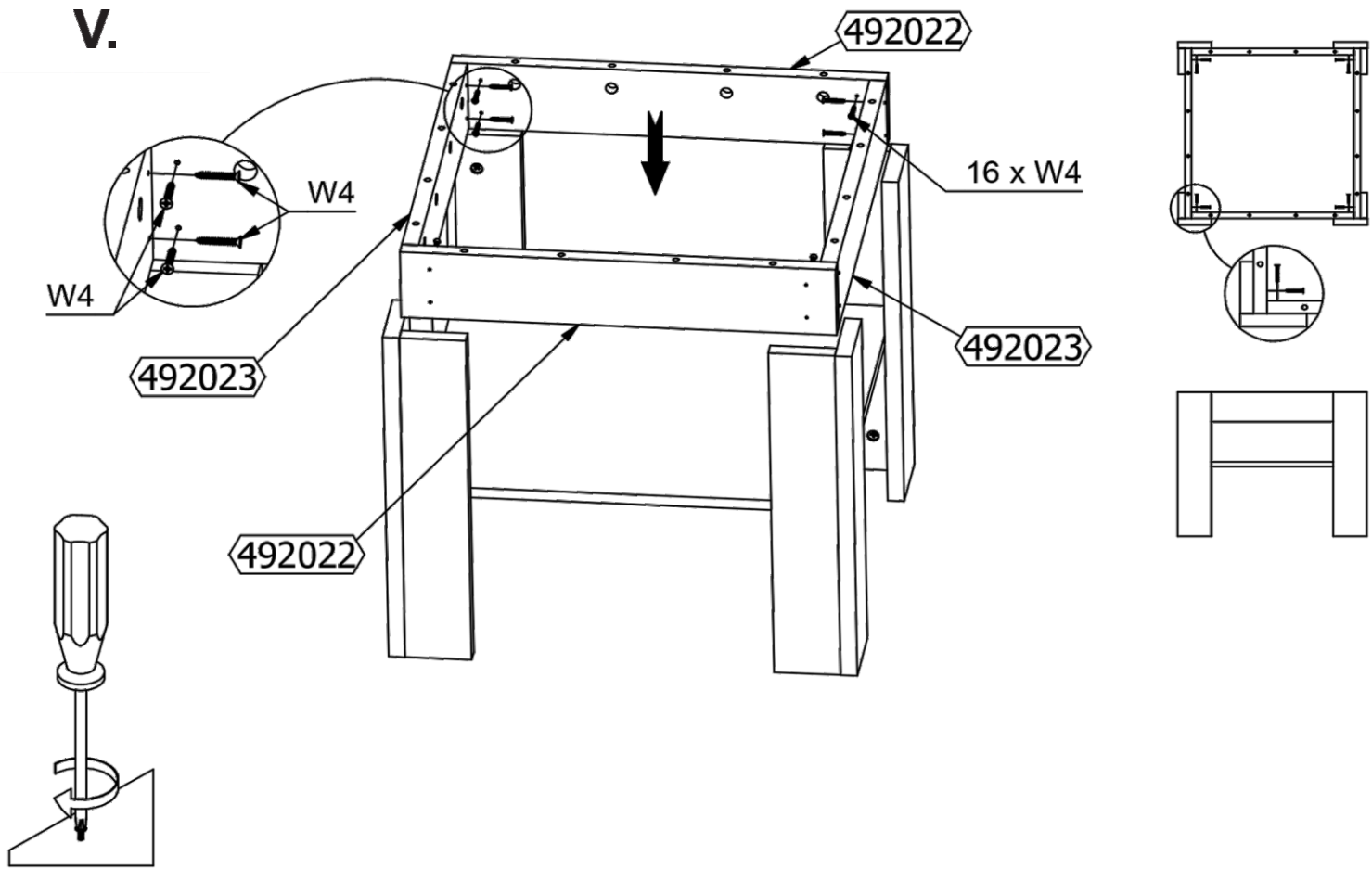
III.



IV.



V.



VI.

